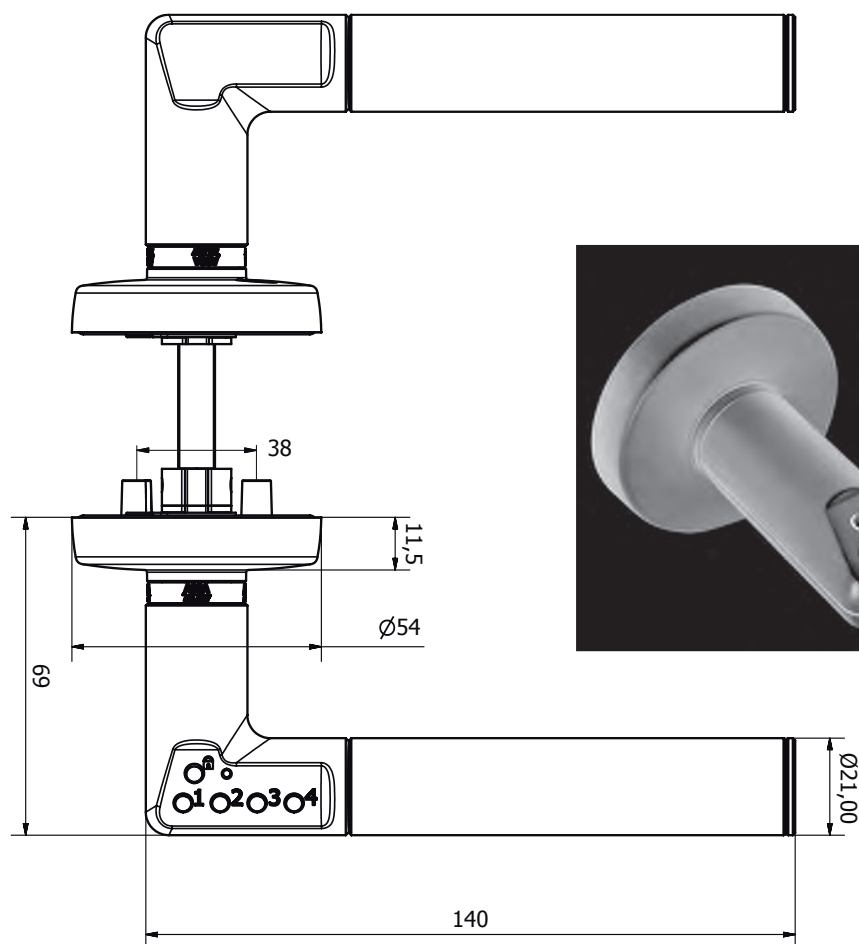


Code It Door Handle

Electromechanical code handle for doors



How to use your Code It handle

Code It handle needs to be fitted with two batteries, CR2, before you are able to use it

The handle has to be programmed before use. You can choose one admin code and up to nine user codes. You can also choose auto locking. Instruction for this is in the package.

To unlock and lock

1. Unlock the handle by pressing the right code on the buttons 1-4.
2. Lock the handle by pressing the button with the padlock symbol.

The actual code can be changed. Instruction for this is in the package.

MUL-T-LOCK (UK) Portobello Works, School Street, Willenhall WV13 3PW
t: 01902 364200 f: 01902 364201 e: enquiries@mul-t-lock.co.uk
www.mul-t-lock.co.uk



MUL-T-LOCK